

## HA-8-3 CLOCK OSCILLATOR INSTALLATION

On the HA-8-3, can oscillators be used to clock the AY-3-8910 sound chip and the AM9511 APU

The original HA-8-3 board used a TMS9918 video chip, which outputs a 3.57954MHz "colorburst" frequency that is used to clock the AY-3-8910 sound chip

The TMS9928 YPbPr upgrade chip does not output the colorburst clock so an alternative clock for the AY-3-8910 must be used

The original HA-8-3 board used the 2MHz bus clock for the AM9511 APU

4MHz AM9511 chips are readily available, and require a clock source other than the bus clock for full performance

OSC1 Clock for the AM9511 APU, alternate clock for the AY-3-8910

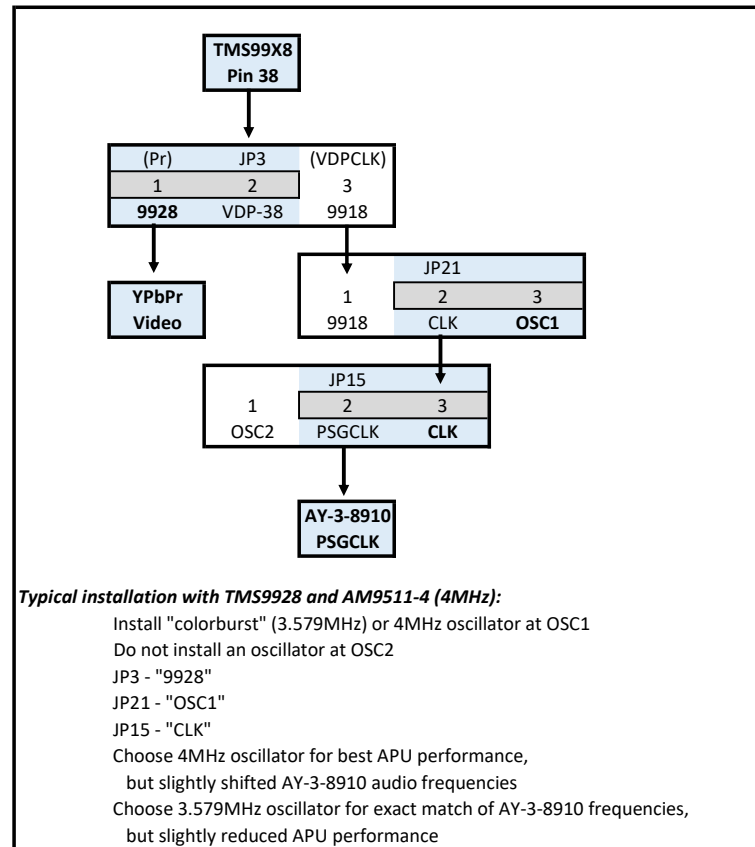
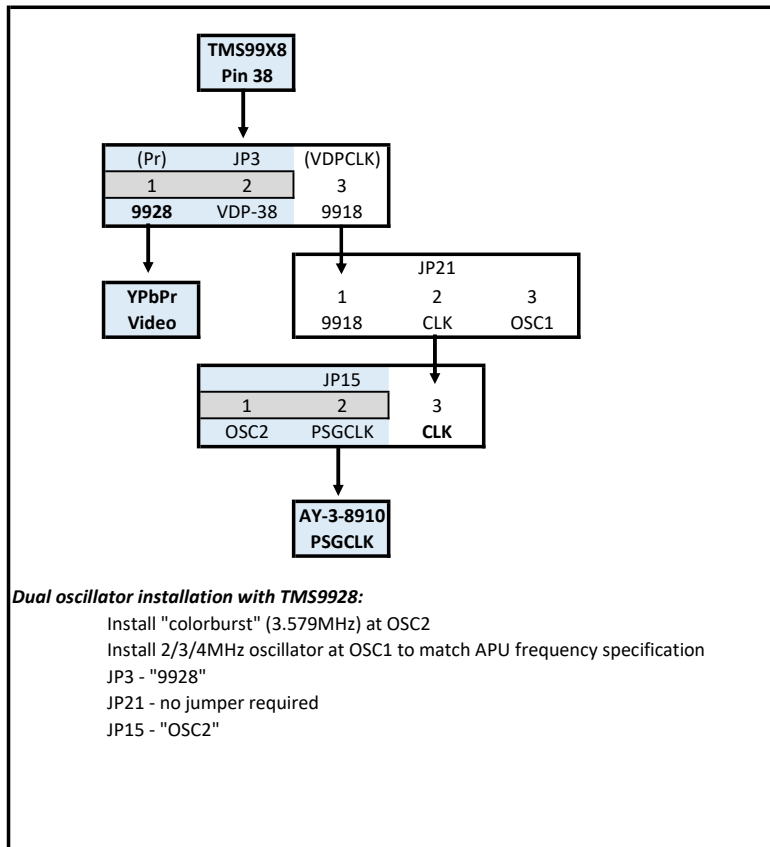
OSC2 Primary clock for the AY-3-8910

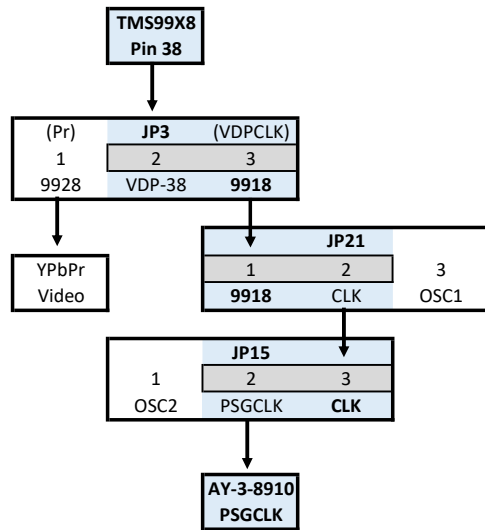
Jumpers JP3, JP15, and JP21 allow flexible selection of the oscillator(s) to be used on the HA-8-3 board

JP3 Selects Pin 38 of the VDP as either a clock signal (TMS9918) or a Pr signal (TMS9928)

JP21 Selects the CLK source - either OSC1, or Pin 38 of the VDP (TMS9918)

JP15 Selects the clock source for the PSG - either OSC2, or the CLK signal selected at JP21





**Typical installation with TMS9918:**

Do not install oscillator at OSC2  
 Install 2/3/4MHz oscillator at OSC1 to match APU frequency specification  
 JP3 - "9918"  
 JP21 - "9918"  
 JP15 - "CLK"