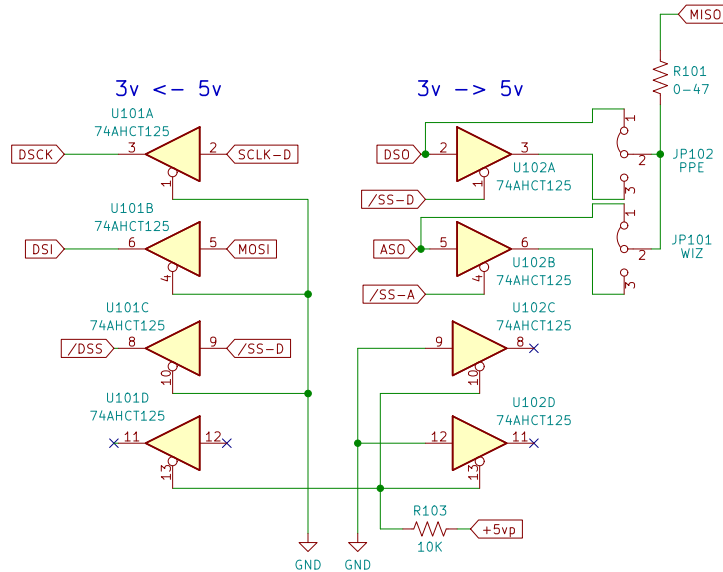


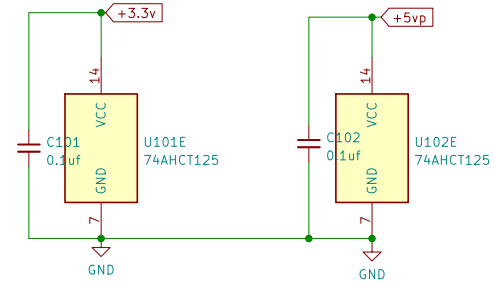
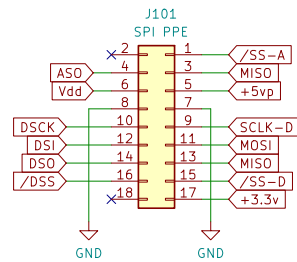
### 3.3/5v LEVEL SHIFT

JP102: Choose method of handling  
 MISO 3.3v->5v level shift:  
 - 5v pull up resistor only (1-2)  
 - 74AHCT125 at U215 (2-3)



Vdd +3.3v

3.3v <-> 5v  
 Headers to connect  
 with shift daughterboard



Sheet: /  
 File: LevelShift.kicad\_sch

**Title:**

Size: A4 Date:  
 KiCad E.D.A. kicad (6.0.9)

**Rev:**  
 Id: 1/1